

RV-2 SP / 5A SP



VERTICAL MACHINING CENTER

REALMECA

Thanks to decades of experience as a machine tool **manufacturer**, REALMECA is able to adapt most automation systems to its machines.

Here, we will present to you one of our projects, the installation of a **STAÜBLI** robot on a RV-2 mill.



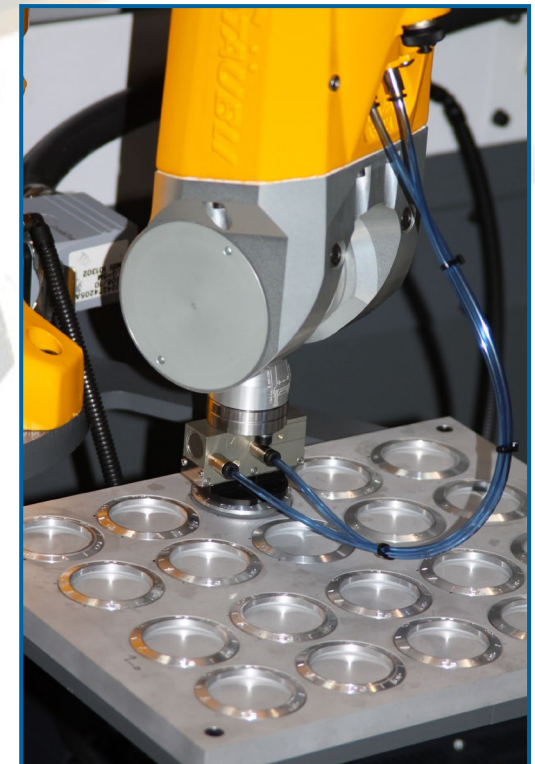


The robot arm is installed on the left side of the machine and is placed on an elevated support, attached to the machine's base.

The left panel, normally fully closed, has been replaced by an opened one which allows the robot arm to access the work area.



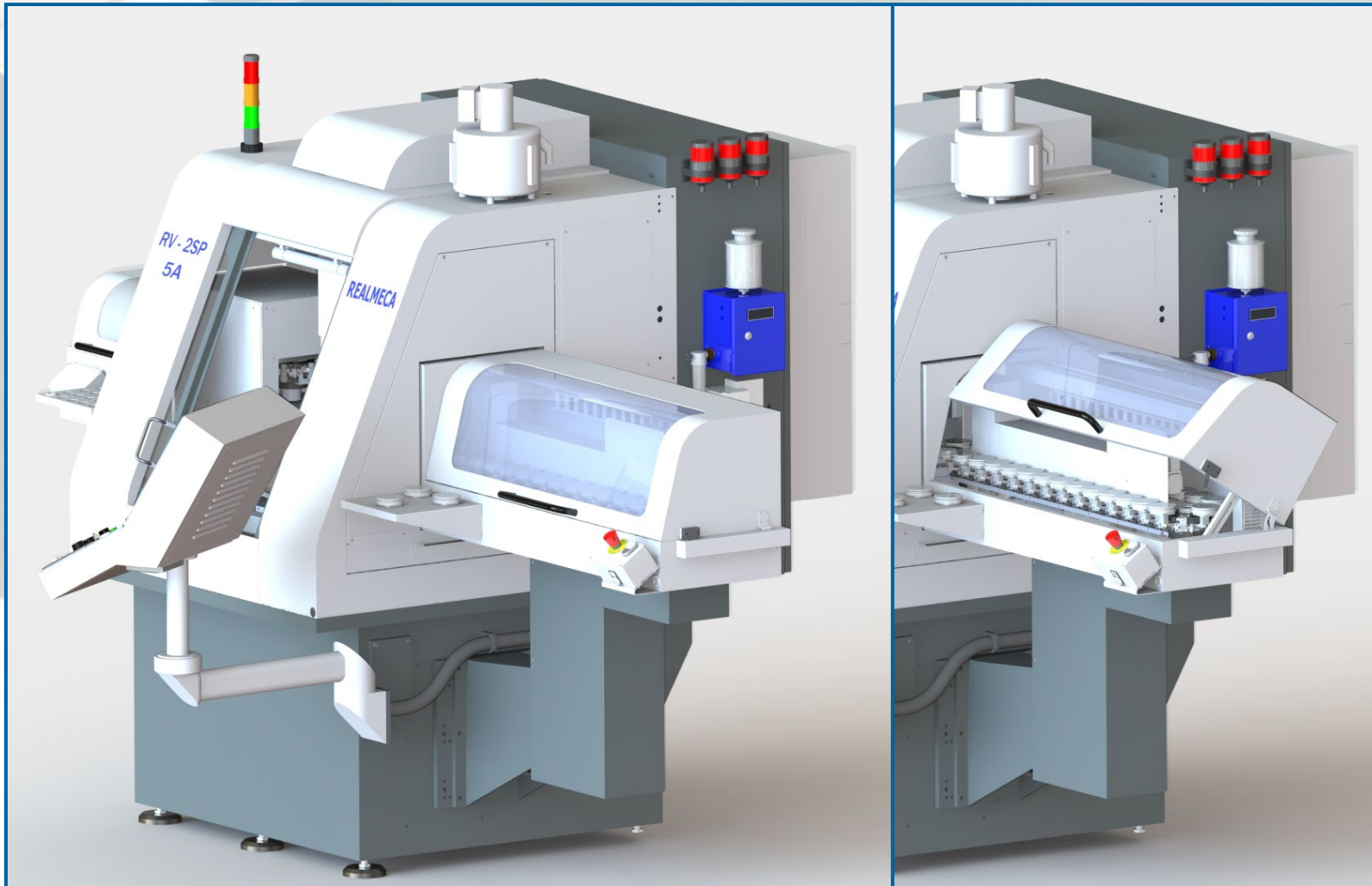
Setting up this system allows the machine **to work on up to 20 parts in a row**, without any action required from the operator.



For **security** reasons, setting up a robot arm on a machine ends with the installation of a **complete enclosure**, which will protect the operator while allowing them to watch over the machining process.

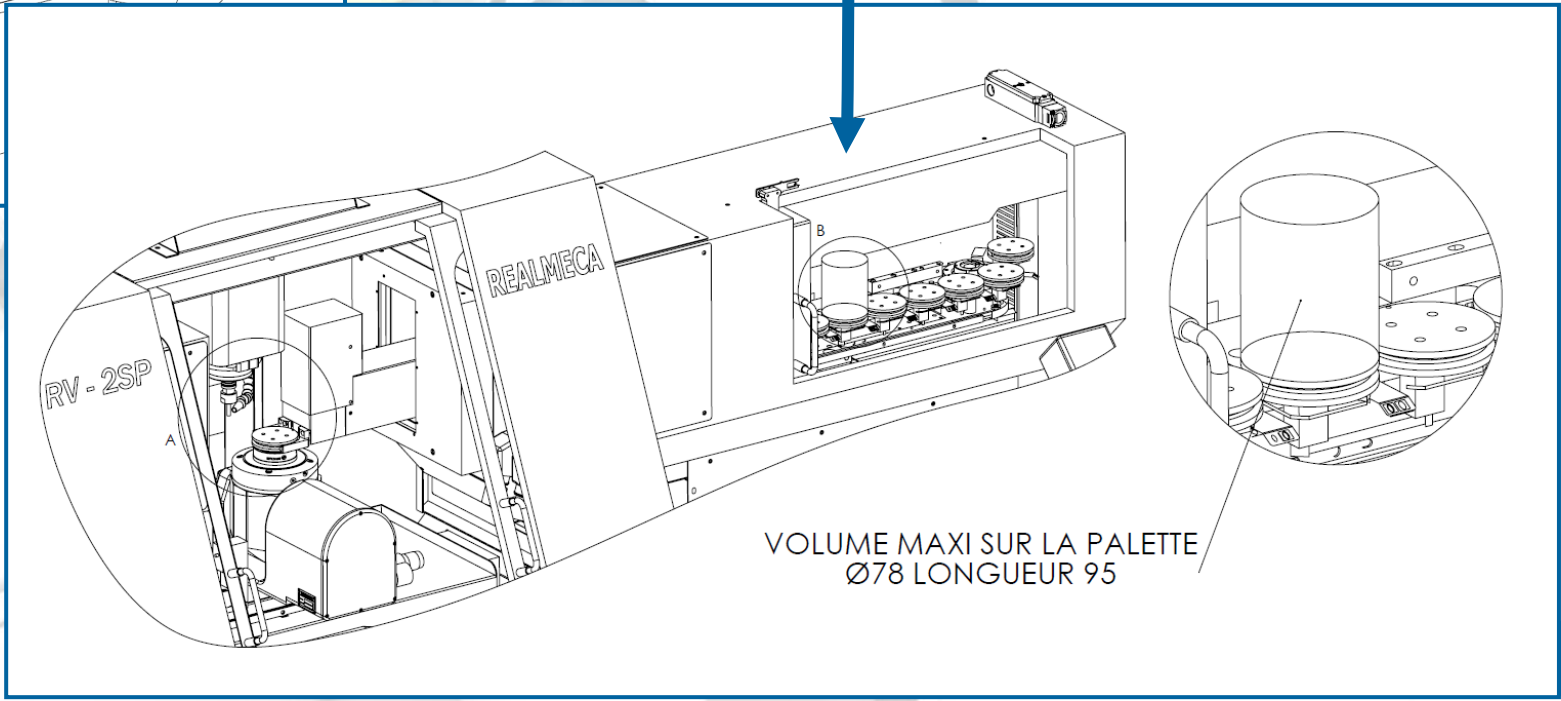
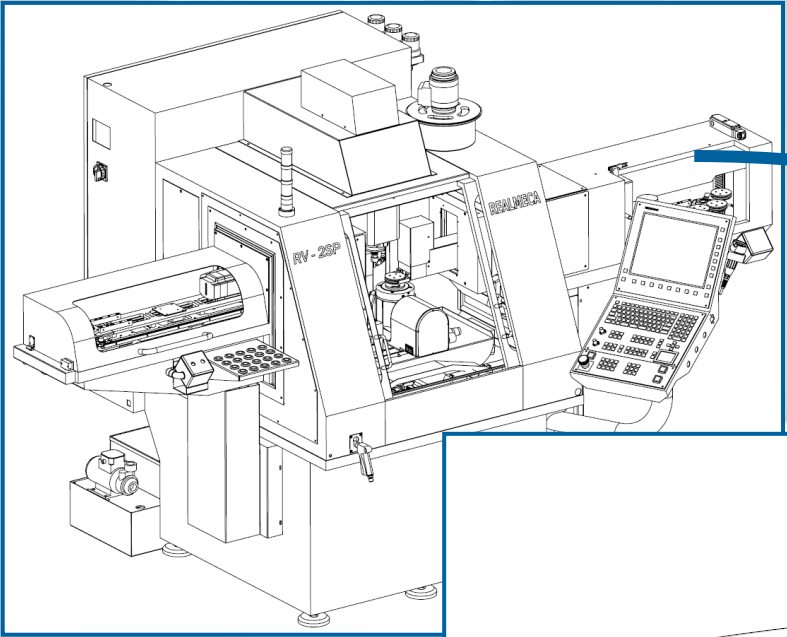


This is one of our **pallet pool** project for a RV-2 mill, prepared by our design office.



PALLET POOL SYSTEM PRESENTATION

This system, installed here on a RV-2 5-axis, allows the machine to work continuously on parts, which are placed on individual pallets.



VOLUME MAXI SUR LA PALETTE
Ø78 LONGUEUR 95

Thanks to this system, it is possible to work on
30 different parts at once.



REALMECA

B.P.10 – 1 route d'Aubréville
55120 Clermont-en-Argonne – FRANCE

Tél. : +33 (0)3 29 87 41 75 – Fax : +33 (0)3 29 87 44 46

commercial@realmeca.com

www.realmeca.com

